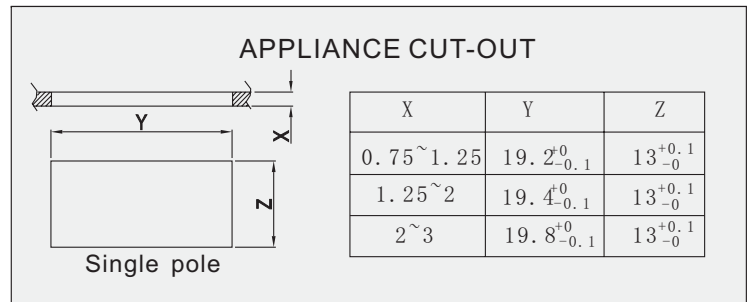
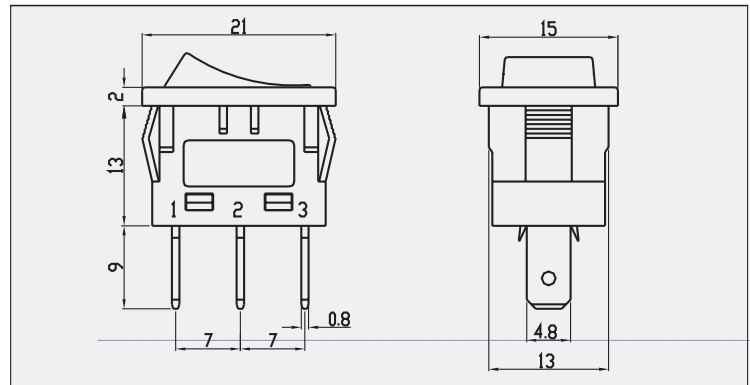


SC768 SINGLE POLE ROCKER SWITCHES



SC768-3VHH-00Q



◆ PRODUCT ADVANTAGE

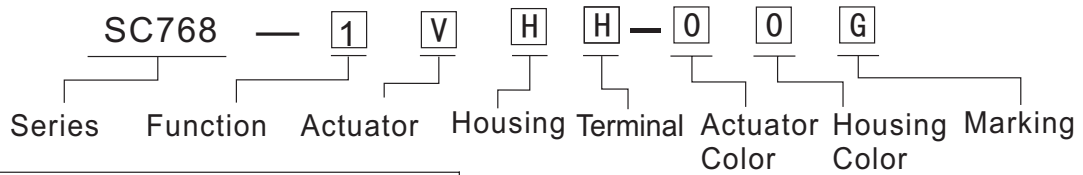
- Excellent actuation characteristic
- Excellent SWPB spring support enough contact force and ensure mechanical life
- Accessional waterproof hat for your choice
- Usually use in oven、coffee maker、stirrer、power supply、power strip,ets

◆ TECHNICAL SPECIFICATIONS

Electrical rating	15A 125VAC 7.5A 250VAC 10(4)A 250VAC T105/55 1E4 6 (4)A 250VAC T85/55 5E4
Electrical life	1E4
Mechanical life	5E4
Contact resistance	≤20mΩ
Insulation resistance	>100MΩ
High voltage resistance	1500VAC
Resistance to tracking	PTI 175
Contact gap DT with centre-OFF	>3mm
Protection type	IP20
Ambient temperature	0℃...+105℃
Flammability	UL94V-0
Heat and fire resistance	850℃
Material of housing and actuator	PA/PC
Material of Contacts	Ag or AgCdO
Material of Terminals	Copper Alloy
Temperature rise at the terminals (According to electrical life endurance)	Max.30K (UL1054) Max.55K (EN61058-1)
Push-on force of terminals	≥80N
Approval marks	
Suitable for appliances of protection class II	

SC768 SINGLE POLE ROCKER SWITCHES

◆ PART NUMBER:



Function(1)		
Function	Circuitry	Code
ON-OFF		1
ON-ON		2
ON-OFF-ON		3
(ON)-OFF		4
ON-(OFF)		5
ON-OFF with Lamp		6
ON-OFF-(ON)		9
(ON)-OFF-(ON)		13



waterproof hat

Actuator(2)		
Actuator Shape	Versions	Code
Arc actuator		V

Terminal(3)		
Terminal	Versions	Code
Quick-connect terminal 4.8X0.8mm		H
Solder terminal		C

Actuator Marking(4)			
Versions	Code	Versions	Code
O I	G	ON OFF	R
O —	P	 O 	Q

Examples of Common Part Numbers and Descriptions

Part Number	Circuitry	Switch Function	Terminal Type	Actuator/Housing Color	Marking
SC768-1VHC-00G		ON-OFF	Solder terminal	Black/Black	O —
SC768-6VHH-20P		ON-OFF with Lamp	Quick-connect terminal 4.8X0.8mm	Red/Black	O I
SC768-3VHH-00Q		ON-OFF-ON	Quick-connect terminal 4.8X0.8mm	Black/Black	 O I