

Distributed by:

JAMECO[®]
ELECTRONICS

www.Jameco.com ♦ 1-800-831-4242

The content and copyrights of the attached
material are the property of its owner.

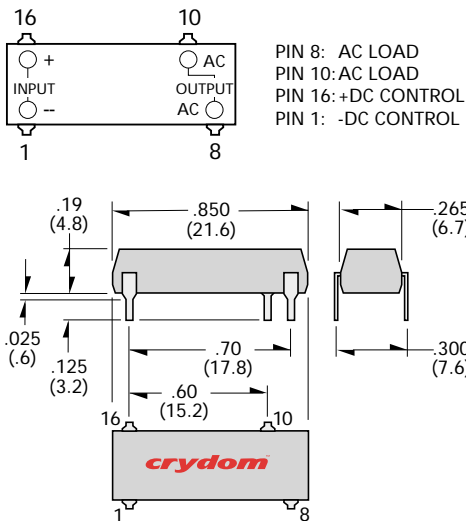
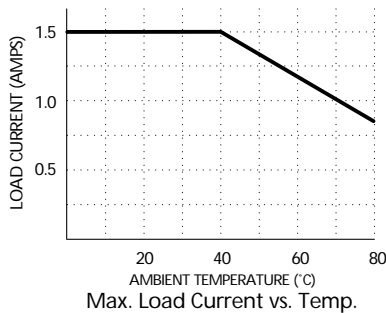
Jameco Part Number 480921

- Compact for High Density PCB Mount
- DC Control
- SCR Output

The Series SDV and SDI solid state relays are rated at 1.5 Amps RMS at ambient temperatures up to 40°C. The compact 16 pin DIP package is perfect for high density printed circuit boards. The SDV is voltage operated, and the SDI is current operated. Both are offered in either zero voltage or random switching (R) versions.

Manufactured in Crydom's ISO 9002 Certified facility for optimum product performance and reliability.

CURRENT DERATING CURVE



All dimensions are in inches (millimeters)

GENERAL NOTES

- ① All parameters at 25°C unless otherwise specified.
- ② Dielectric and insulation resistance are measured between input and output.
- ③ Off-State dv/dt test method per EIA/NARM standard RS-443.

APPROVALS

UL 116950
CSA LR81689

MODEL NO.	SDV2415	SDV2415R	SDI2415	SDI2415R
INPUT SPECIFICATIONS ①				
Control Voltage Range	3.5-10 Vdc	3.5-10 Vdc	—	—
Control Current Range	—	—	10-35 mA	10-35 mA
Nominal Input Impedance	270 Ohm	270 Ohm	—	—
Typical Input Current @ 5 Vdc	15 mAdc	15 mAdc	—	—
Must Turn On Voltage	3.5 Vdc	3.5 Vdc	—	—
Must Turn On Current	—	—	10 mA	10 mA
Must Turn Off Voltage	1.0 Vdc	1.0 Vdc	—	—
Must Turn Off Current	—	—	1 mA	1 mA

OUTPUT SPECIFICATIONS ①				
Operating Voltage Range (47-63 Hz)	12-280 Vrms			
Load Current Range	.025 - 1.5 Arms			
Transient Over-Voltage	600 Vpk			
Max. Surge Current, (16.6ms)	30 Apk			
Min. Off-State dv/dt @ Max. Rated Voltage ③	500 V/μsec			
Max. Off-State Leakage @ Rated Voltage	.01 mArms			
Max. On-State Voltage Drop @ Rated Current	1.2 Vpk			
Max. Turn-On Time	1/2 cycle	0.1 msec	1/2 cycle	0.1 msec
Max. Turn-Off Time	1/2 cycle			
Power Factor (Min.) With Max. Load	0.5			

GENERAL SPECIFICATIONS				
Dielectric Strength ②	3750 Vrms			
Insulation Resistance (Min.) @ 500 Vdc ②	10 ⁹ Ohm			
Max. Capacitance, Input-Output	2.0 pF			
Ambient Operating Temperature Range	-30 to 80°C			
Ambient Storage Temperature Range	-30 to 125°C			

MECHANICAL SPECIFICATIONS				
Weight: (typical)	.10 oz. (2.9 g)			
Encapsulation:	Thermally Conductive Epoxy			

©2003 CRYDOM CORP, Specifications subject to change without notice.

For recommended applications and more information contact:

USA: Sales Support (877) 502-5500 Tech Support (877) 702-7700 FAX (619) 710-8540
Crydom Corp, 2320 Paseo de las Americas, Ste. 201, San Diego, CA 92154

Email: sales@crydom.com WEB SITE: http://www.crydom.com

UK: +44 (0)1202 365070 • FAX +44 (0)1202 365090 Crydom International Ltd., 7 Cobham

Road, Ferndown Industrial Estate, Ferndown, Dorset BH21 7PE, Email: intsales@crydom.com.

GERMANY: +49 (0)180 3000 506

