

宁波天波港联电子有限公司

NINGBO TIANBO GANGLIAN ELECTRONICS CO., LTD

TRG1 技术指标

文件编号:

SPECIFICATION

FILE NUMBER: T810S-P006A

DATE: 2004/06/25

■ CONTACT DATA 触点参数

Contact Form 触点形式	1A/1C	
Contact Material 触点材料	Silver Alloy	
Contact Ratings 触点负载	1A:10A/120VAC 5A/240VAC/30VDC 1A-L,1C:3A 240VAC/30VDC	
Max Switching Voltage 最大转换电压	250VAC/30VDC	
Max Switching Current 最大转换电流	10A	
Max Switching Power 最大转换功率	1200VA/150W	
Contact Resistance 接触电阻	100M ω max	at 6VDC 1A
Life Expectancy Electrical 电气寿命	100,000	Operations(at30Operations/minute)
Machanical 机械寿命	10,000,000	Operations

■ GENERAL DATA 一般参数

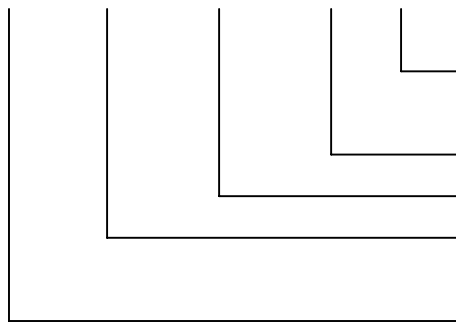
Insulation Resistance 绝缘阻值	100M Ω Min at 500VDC	
Dielectric Strength Between Open Contacts 触点间耐压	750VAC(for one minute)	
Between Contacts and coil 触点与线圈间耐压	2500VAC(for one minute)	
Operate Time 吸合时间	8ms	
Release Time 释放时间	5ms	
Temperature Range 环境温度	-40°C to +70°C	
Shock Resistance 冲击	Operating Extremes 动作极限	10G
	Damage Limits 破坏极限	100G
Vibration Resistance 振动	10-55Hz, 1.5mm	
Humidity 湿度	40-85%	
Weight 重量	Approx 6g	
Safety Standard 安全标准	UL:E173485, CH0062183-2001	

■ COIL DATA 线圈参数

Nominal Voltage 额定电压 (VDC)	Coil Resistance at 20°C \pm 10% (Ω) 线圈阻值		Max Operate Voltage 最大吸合电压 VDC	Min Release Voltage 最小释放电压 VDC	Max Applicable Voltage 最大过载电压 VDC
	0.2W	0.45W			
3	45	20	2.25	0.15	3.9
5	125	56	3.75	0.25	6.5
6	180	80	4.5	0.3	7.8
9	405	180	6.75	0.45	11.7
12	720	320	9	0.6	15.6
24	2880	1280	18	1.2	31.2
48		5100 \pm 15%	36	2.4	62.4

ORDERING CODE 订购代码

TRG1 D—12VDC—S—Z



Z Form C 触点转换形式

H Form A

Sealed 密封

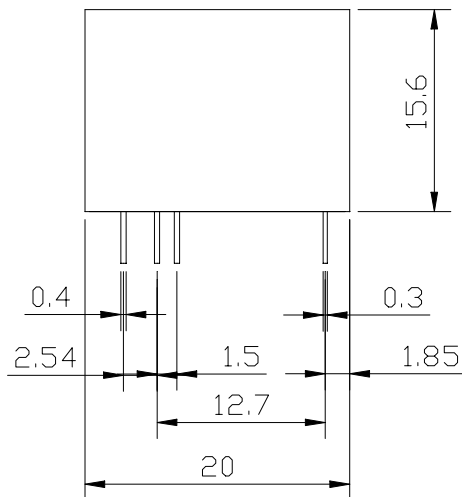
Coil Nominal Voltage 线圈额定电压

D=0.45W Coil Power 线圈功率

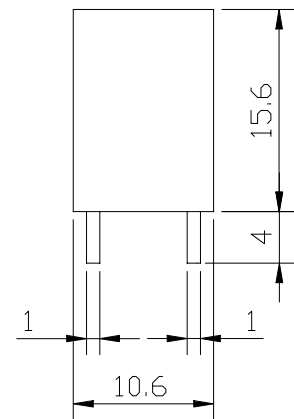
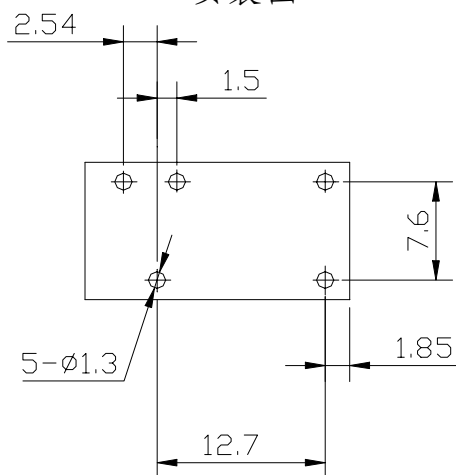
L=0.2W

Relay Model 继电器型号

OVERALL AND MOUNTING DIMENSIONS 安装图



安装图



接线图

