

NINGBO TIANBO GANGLIAN ELECTRONICS CO., LTD

HJQ-22F

SPECIFICATION

FILE NUMBER: T810S-G004A

DATE: 2004/06/25

■ CONTACT DATA

Contact Form	4C/2C	
Contact Material	Silver Alloy	
Contact Ratings	5A 240VAC/28VDC	
Max Switching Voltage	250VAC/30VDC	
Max Switching Current	7A	
Max Switching Power	1750VA/210W	
Contact Resistance	100m Ω Max	at 6VDC 1A
Life Expectancy Electrical	100, 000	Operations(at30Operations/minute)
Mechanical	10, 000, 000	Operations

■ GENERAL DATA

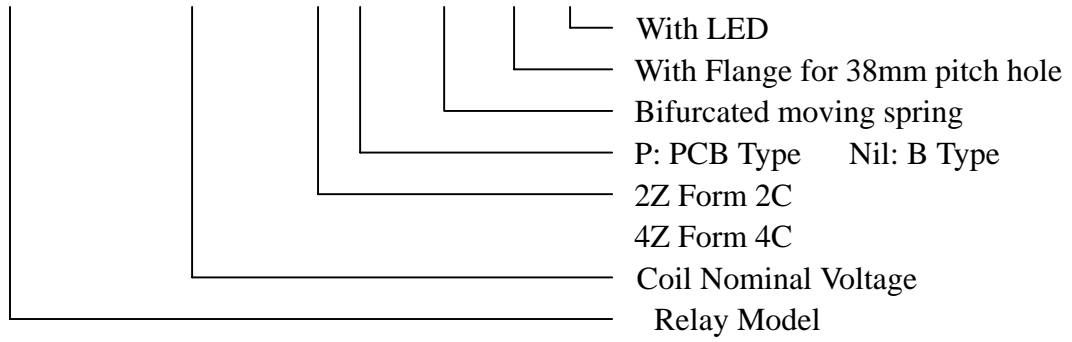
Insulation Resistance	100M Ω Min at 500VDC	
Dielectric Strength Between Open Contacts	1000VAC(for one minute)	
Between Contacts and coil	1500VAC(for one minute)	
Operate Time	25ms	
Release Time	25ms	
Temperature Range	-40°C to +70°C	
Shock Resistance	Operating Extremes	20G
	Damage Limits	100G
Vibration Resistance	10-55Hz, 1.5mm	
Humidity	40-85%	
Weight	Approx. 35g	
Safety Standard	CSA:203664 UL:E209198	

■ COIL DATA(4Z)

Nominal Voltage		Coil Resistance at 20 ±10% (Ω)		Max Operate Voltage		Min Release Voltage		Max Applicable Voltage	
5-110VDC	6-240VAC	VDC	VAC	VDC	VAC	VDC	VAC	VDC	VAC
		0.9W	1.2VA						
5	6	27.5	11.5	3.75	4.8	0.5	0.6	6.5	7.8
6	12	40	46	4.5	9.6	0.6	1.2	7.8	15.6
12	24	160	184	9	19.2	1.2	2.4	15.6	31.2
24	48	650	735	18	38.4	2.4	4.8	31.2	62.4
48	110	2560	4550 ± 15%	36	88	4.8	11	62.4	143
110	120	13450	4550 ± 15%	82.5	96	11	12	143	156
	220/240		14400 ± 15%		176		24		286/312

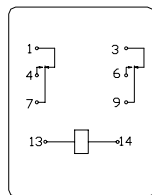
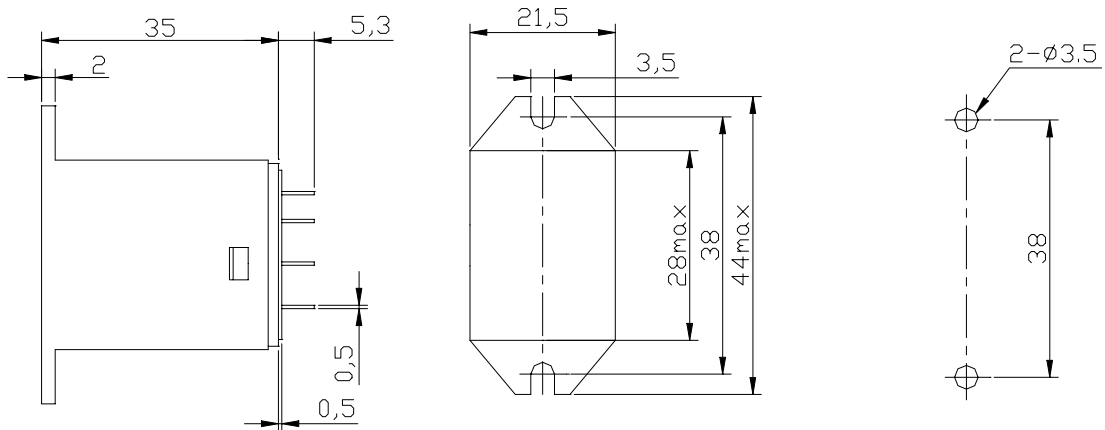
ORDERING CODE

HJQ-22F—12VDC—4Z(P)—1—F—D

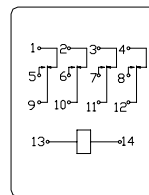


OVERALL AND MOUNTING DIMENSIONS

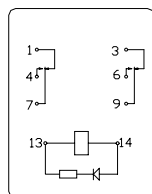
(F)



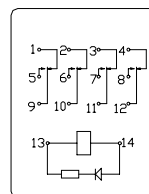
2C 接线图



4C 接线图

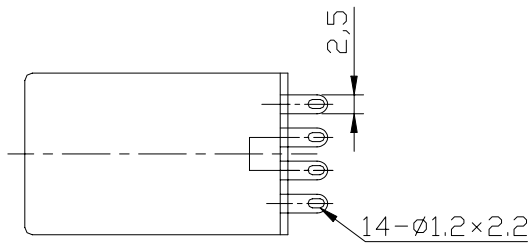


2CD

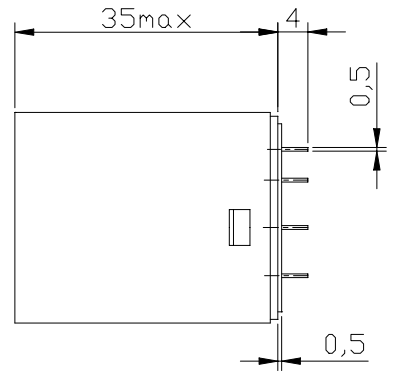
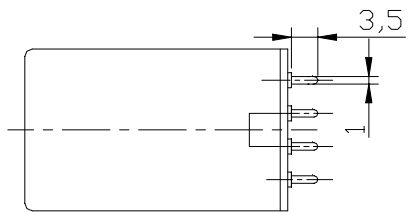
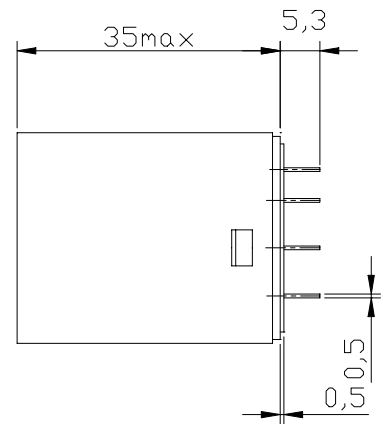


4CD

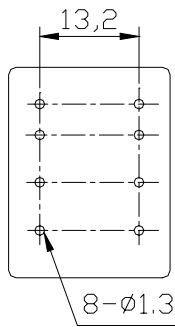
B



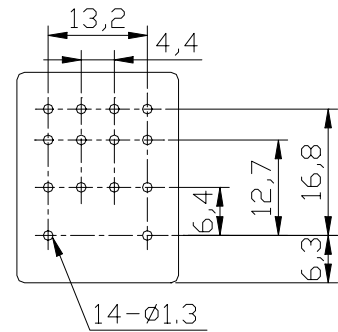
P



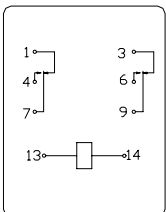
P型PCB Mounting



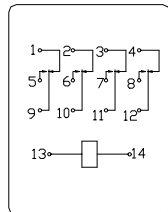
2C



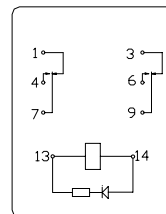
4C



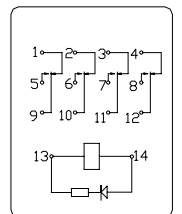
2C接线图



4C接线图



2CD



4CD

NINGBO TIANBO GANGLIAN ELECTRONICS CO., LTD

HJQ-22F

SPECIFICATION

FILE NUMBER: T810S-G005A

DATE: 2004/06/25

■ CONTACT DATA

Contact Form	3C		
Contact Material	Silver Alloy		
Contact Ratings	7A 240VAC/28VDC		
Max Switching Voltage	250VAC/30VDC		
Max Switching Current	8A		
Max Switching Power	1750VA/210W	2000VA/240W	
Contact Resistance	100m Ω Max	at 6VDC 1A	
Life Expectancy Electrical	100,000	Operations(at30Operations/minute)	
Mechanical	10,000,000	Operations	

■ GENERAL DATA

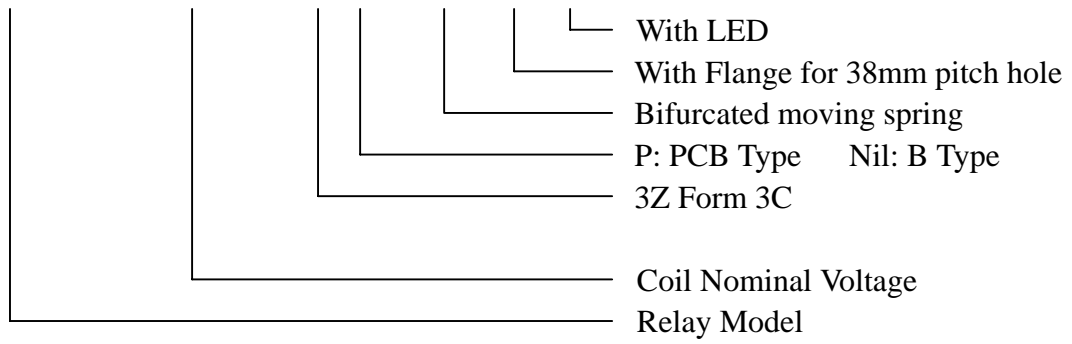
Insulation Resistance	100M Ω Min at 500VDC		
Dielectric Strength Between Open Contacts	1000VAC(for one minute)		
Between Contacts and coil	1500VAC(for one minute)		
Operate Time	25ms		
Release Time	25ms		
Temperature Range	-40°C to +70°C		
Shock Resistance	Operating Extremes	20G	
	Damage Limits	100G	
Vibration Resistance	10-55Hz, 1.5mm		
Humidity	40-85%		
Weight	Approx. 35g		
Safety Standard	CSA:203664 UL:E209198		

■ COIL DATA(4Z)

Nominal Voltage		Coil Resistance at 20 ±10% (Ω)		Max Operate Voltage		Min Release Voltage		Max Applicable Voltage	
5-110VDC	6-240VAC	VDC	VAC	VDC	VAC	VDC	VAC	VDC	VAC
		0.9W	1.2VA						
5	6	27.5	11.5	3.75	4.8	0.5	0.6	6.5	7.8
6	12	40	46	4.5	9.6	0.6	1.2	7.8	15.6
12	24	160	184	9	19.2	1.2	2.4	15.6	31.2
24	48	650	735	18	38.4	2.4	4.8	31.2	62.4
48	110	2560	4550 ± 15%	36	88	4.8	11	62.4	143
110	120	13450	4550 ± 15%	82.5	96	11	12	143	156
	220/240		14400 ± 15%		176		24		286/312

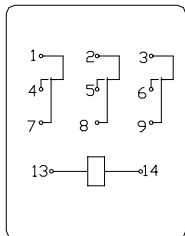
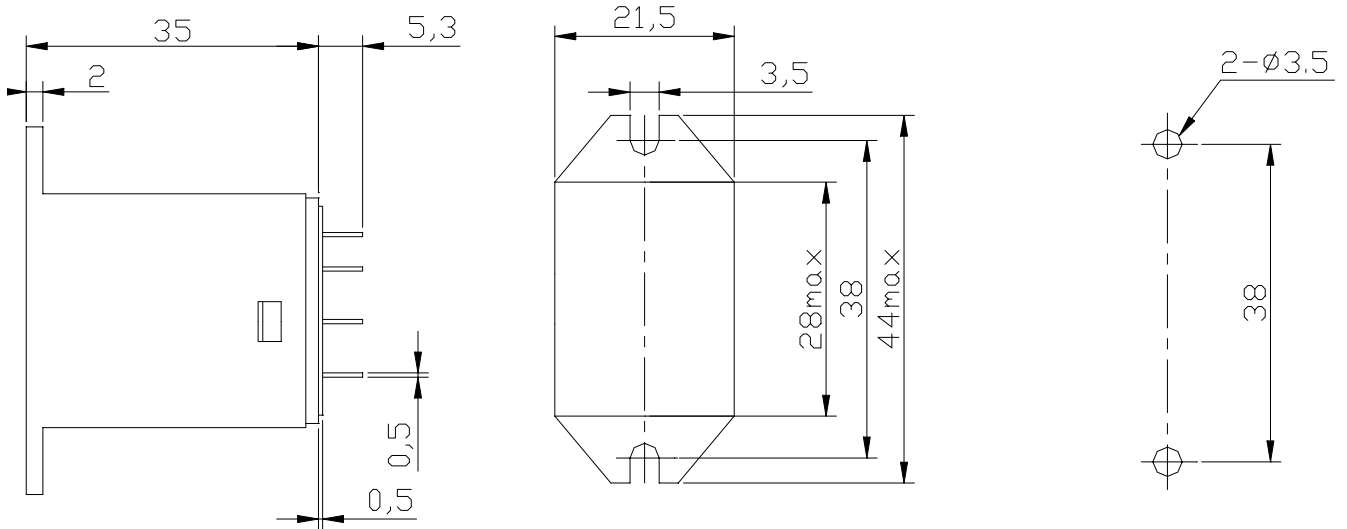
ORDERING CODE

HJQ-22F—12VDC—3Z(P)—1—F—D

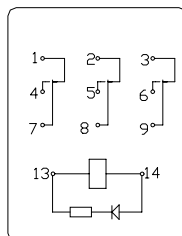


OVERALL AND MOUNTING DIMENSIONS

(F)

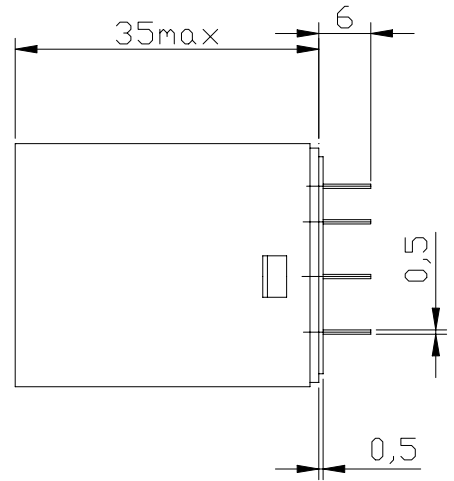
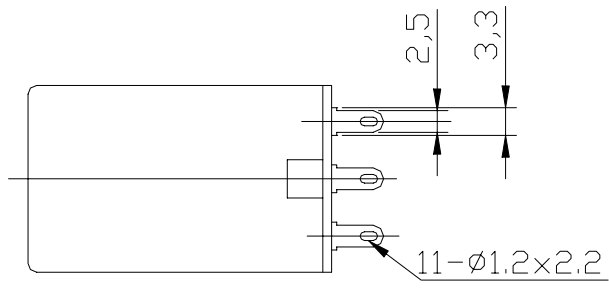


3C 接线图

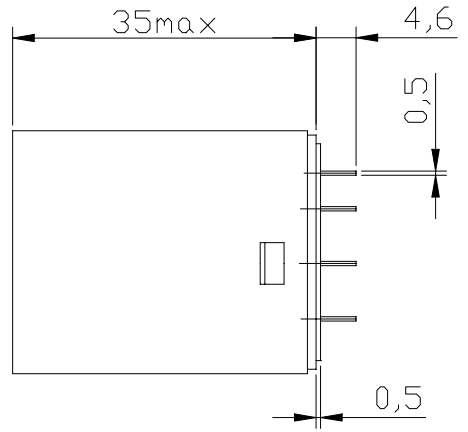
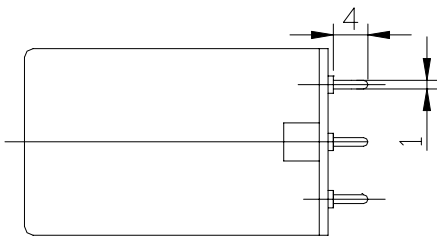


3CD

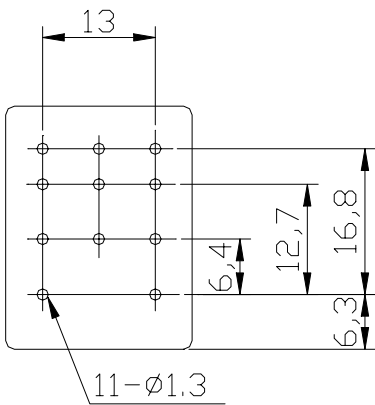
B



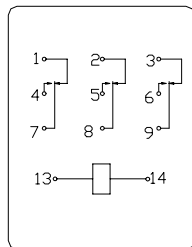
P



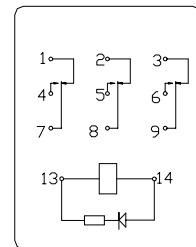
P PCB Mounting



3C



3C接线图



3CD