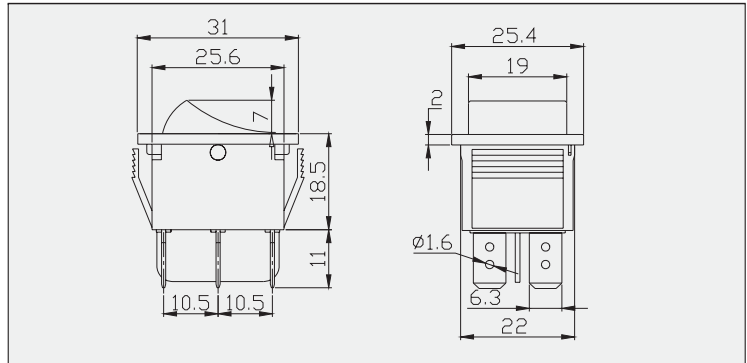


SERIES SC767 DOUBLE POLE SWITCHES



SC767-3VAW-20G



APPLIANCE CUT-OUT

Double pole	X=panel thickness		
	X	Y	Z
	0.75~1.25	27.8-0.1	22.1+0.1
	1.25~2	28.0-0.1	22.1+0.1
	2~3	28.2-0.1	22.1+0.1

◆ PRODUCT ADVANTAGE

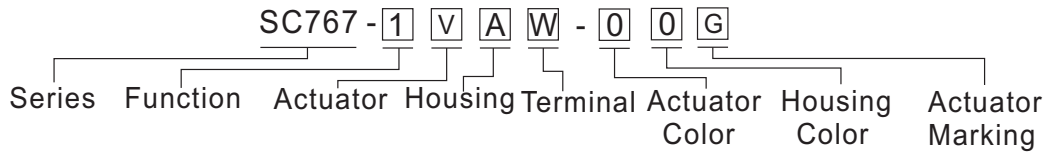
- Big rocker convenient for operatin
- Excellent actuation characteristic
- Excellent SWPB spring support enough contact force and ensure mechanical life
- Widen wings, fix more fast
- Usually use in oven、coffee maker、stirrer、power strip,ets

◆ TECHNICAL SPECIFICATIONS

Electrical rating	16(6)A 250VAC T105/55 1E4 15A 250VAC 25T85 1E4
Electrical life	1E4
Mechanical life	5E4
Contact resistance	≤20mΩ
Insulation resistance	>100MΩ
High voltage resistance	1500 VAC
Resistance to tracking	PTI 175
Contact gap DT with centre-OFF	>3mm
Protection type	IP20
Ambient temperature	0℃...+85℃
Flammability	UL94V-0
Heat and fire resistance	850℃
Material of housing and rocker	PA/PC
Material of Contacts	Ag or AgCdO
Material of Terminals	Copper Alloy
Temperature rise at the terminals (According to electrical life endurance)	Max.30K (UL1054) Max.55K (EN61058-1)
Push-on force of terminals	≥96N
Approval marks	
Suitable for appliances of protection class II	

SERIES SC767 DOUBLE POLE SWITCHES

◆ PART NUMBER



Function(1)		
Function	Circuitry	Code
ON-OFF		1
ON-ON		2
ON-OFF with Lamp		3
ON-ON with Lamp		9

Actuator(2)		
Actuator shape	Versions	Code
Arc Button		V

Terminals(4)		
Terminals	Versions	Code
Quick-connect terminal 6.3X0.8mm		W

Housing(3)	
Versions	Code
	A

Actuator Marking(5)			
Versions	Code	Versions	Code
○ 	G	ON OFF	R
○ -	P	●	W

Examples of Common Part Numbers and Descriptions

Part number	Circuitry	Switch Function	Type	Terminal Type	Actuator/Housing Color	Marking
SC767-1VAW-00G		ON-OFF	A	Quick-connect terminal 6.3X0.8mm	Black/Black	
SC767-6VAW-20W		ON-OFF with Lamp	A	Quick-connect terminal 6.3X0.8mm	Red/Black	
SC767-9VAW-20		ON-ON with Lamp	A	Quick-connect terminal 6.3X0.8mm	Red/Black	